

Product Specification

Product:	Laser Partical Sensor
Product model:	PMS5003
Specification No.:	PTQ3004-2015
Version:	V1.0
Customer:	S.L Technologies Co.

Writer	Verifier	Standardization	Approver
 2019-7-31	 2019-7-31	 2019-7-31	 2019-7-31

ADD: 6/f, Building 9, Yuxi Road No. 9, Houshayu, Shunyi district, Beijing, P. R. China

TEL: 010-64731933

FAX: 010-64737980

URL: www.plantower.com

Email: info@plantower.com

PLANTOWER 攀藤科技	PMS5003 Datasheet	DOCUMENT No	PTQ3004-2015
		Version	V1.0
		Date	2019-7-31

Catalogue

Log Page	2
1. Main characteristics	3
2. Overview	3
3. Working principle	4
4. Technical Index	4
5. Output result	6
6. Pin Definition	6
7. Typical Circuit	7
8. Circuit Attentions	7
9. Typical Output Characteristic	8
10. Endurance Characteristics	11
11. Part Number Definition	12
12. Physical Size	13
13. Installation Attentions	13
14. Other Attentions	14
15. Appendix A: transport Protocol Active Mode	15
16. Appendix B: Transport Protocol Passive Mode	16

PLANTOWER 攀藤科技	PMS5003 Datasheet	DOCUMENT No	PTQ3004-2015
		Version	V1.0
		Date	2019-7-31

1. Main characteristics

- ◆ Zero false alarm rate
- ◆ Real-time response
- ◆ Correct data
- ◆ Minimum distinguishable particle diameter :0.3 micrometer
- ◆ High anti-interference performance because of the patent structure of six sides shielding
- ◆ Optional direction of air inlet and outlet in order to adapt the different design



2. Overview

PMS5003 is a kind of digital and universal particle concentration sensor, which can be used to obtain the number of suspended particles in the air, i.e. the concentration of particles, and output them in the form of digital interface. This sensor can be inserted into variable instruments related to the concentration of suspended particles in the air or other environmental improvement equipments to provide correct concentration data in time.

PLANTOWER 攀藤科技	PMS5003 Datasheet	DOCUMENT No	PTQ3004-2015
		Version	V1.0
		Date	2019-7-31

3. Working principle

Laser scattering principle is used for such sensor, i.e. produce scattering by using laser to radiate suspending particles in the air, then collect scattering light in a certain degree, and finally obtain the curve of scattering light change with time. In the end, equivalent particle diameter and the number of particles with different diameter per unit volume can be calculated by microprocessor based on MIE theory. Please find the functional diagram of each part of sensor from Figure 1 as follows.

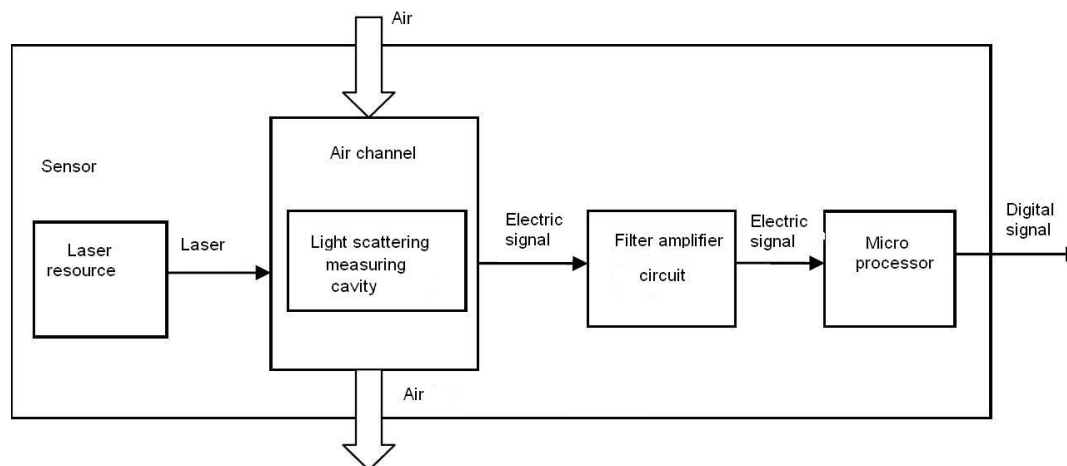


Figure 1 Functional block diagram of sensor

4. Technical Index

Parameter	Index	unit
Particle Range of measurement	0.3~1.0; 1.0~2.5; 2.5~10	Micrometer (μm)
Particle Counting Efficiency	50% $@0.3\mu\text{m}$ 98% $@\geq 0.5\mu\text{m}$	

PLANTOWER 攀藤科技	PMS5003 Datasheet	DOCUMENT No	PTQ3004-2015
		Version	V1.0
		Date	2019-7-31

Particle Effective Range (PM2.5 standard)	0~500	$\mu\text{g}/\text{m}^3$
Particle Maximum Range (PM2.5 standard) *	≥ 1000	$\mu\text{g}/\text{m}^3$
Particle Resolution	1	$\mu\text{g}/\text{m}^3$
Particle Maximum Consistency Error (PM2.5 standard data)*	$\pm 10\% @ 100 \sim 500 \mu\text{g}/\text{m}^3$ $\pm 10 \mu\text{g}/\text{m}^3 @ 0 \sim 100 \mu\text{g}/\text{m}^3$	
Particle Standard Volume	0.1	Litre (L)
Single Response Time	< 1	Second (s)
Total Response Time	≤ 10	Second (s)
DC Power Supply	Typ:5.0 Min:4.5 Max: 5.5	Volt (V)
Active Current	≤ 100	Milliampere (mA)
Standby Current	≤ 200	Microampere (μA)
Interface Level	L $< 0.8 @ 3.3$ H $> 2.7 @ 3.3$	Volt (V)
Working Temperature Range	$-10 \sim +60$	$^{\circ}\text{C}$
Working Humidity Range	0~99	%
Storage Temperature Range	$-40 \sim +80$	$^{\circ}\text{C}$
MTTF	≥ 3	Year(Y)
Physical Size	50x38x21	Millimeter (mm)

Note 1: Maximum range means that the highest output value of the PM2.5 standard data is not less than 1000.

Note 2: "PM2.5 standard data" is the "data2" in the appendix A.20 $^{\circ}\text{C}$, 50%.

PLANTOWER 攀藤科技	PMS5003 Datasheet	DOCUMENT No	PTQ3004-2015
		Version	V1.0
		Date	2019-7-31

5. Output result

- 1) Mainly output as the quality and number of each particles with different size per unit volume, the unit volume of particle number is 0.1L and the unit of mass concentration is $\mu\text{g}/\text{m}^3$.
- 2) There are two options for digital output: passive and active. Default mode is active after power up. In this mode sensor would send serial data to the host automatically. The active mode is divided into two sub-modes: stable mode and fast mode. If the concentration change is small the sensor would run at stable mode with the real interval of 2.3s. And if the change is big the sensor would be changed to fast mode automatically with the interval of 200~800ms, the higher of the concentration, the shorter of the interval.

6. Pin Definition

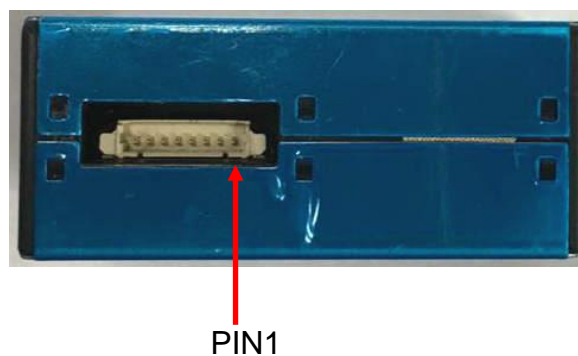


Figure 2 Connector Definition

Pin number	Pin name	Description
PIN1	VCC	Positive power 5V
PIN2	GND	Negative power
PIN3	SET	Set pin/TTL level @3.3V, high level or suspending is normal working status, while low level is sleeping mode.

PLANTOWER 攀藤科技	PMS5003 Datasheet	DOCUMENT No	PTQ3004-2015
		Version	V1.0
		Date	2019-7-31

PIN4	RXD	Serial port receiving pin/TTL level@3.3V
PIN5	TXD	Serial port sending pin/TTL level@3.3V
PIN6	RESET	Module reset signal/TTL level@3.3V, low reset
PIN7	NC	
PIN8	NC	

7. Typical Circuit

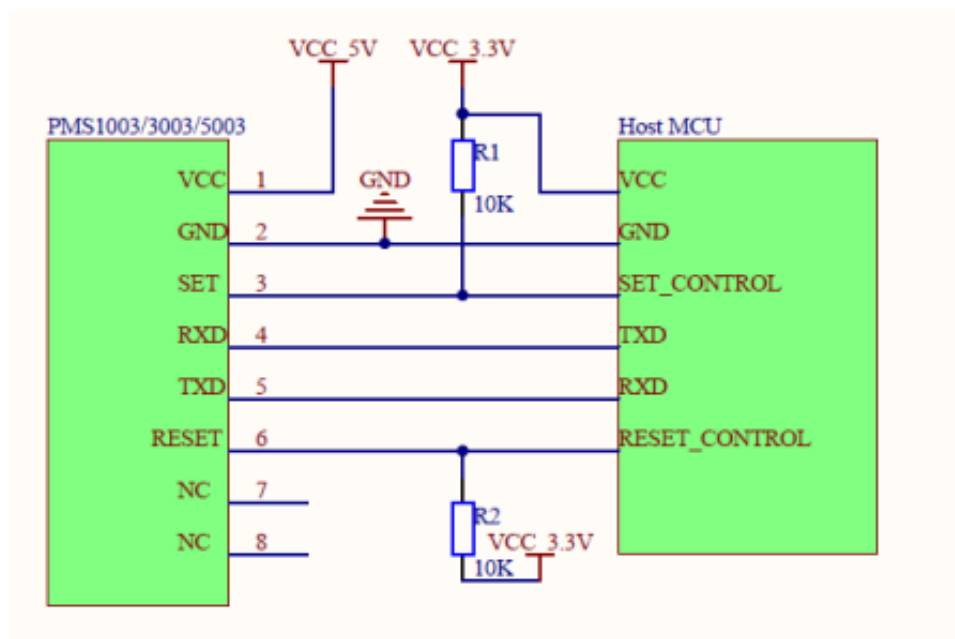


Figure 3 Typical Circuit

8. Circuit Attentions

- 1) DC 5V power supply is needed because the FAN should be driven by 5V. But the high level of data pin is 3.3V. Level conversion unit should be used if the power of host MCU is 5V.
- 2) The SET and RESET pins are pulled up inside so they should not be connected if without usage.
- 3) PIN7 and PIN8 should not be connected.
- 4) Stable data should be got at least 30 seconds after the sensor wakeup from the sleep mode because of the fan's performance.

PLANTOWER 攀藤科技	PMS5003 Datasheet	DOCUMENT No	PTQ3004-2015
		Version	V1.0
		Date	2019-7-31

9. Typical Output Characteristic

Definition of axis Y: PM2.5 concentration, unit: $\mu\text{g}/\text{m}^3$

Definition of axis X: number of samples, unit: time

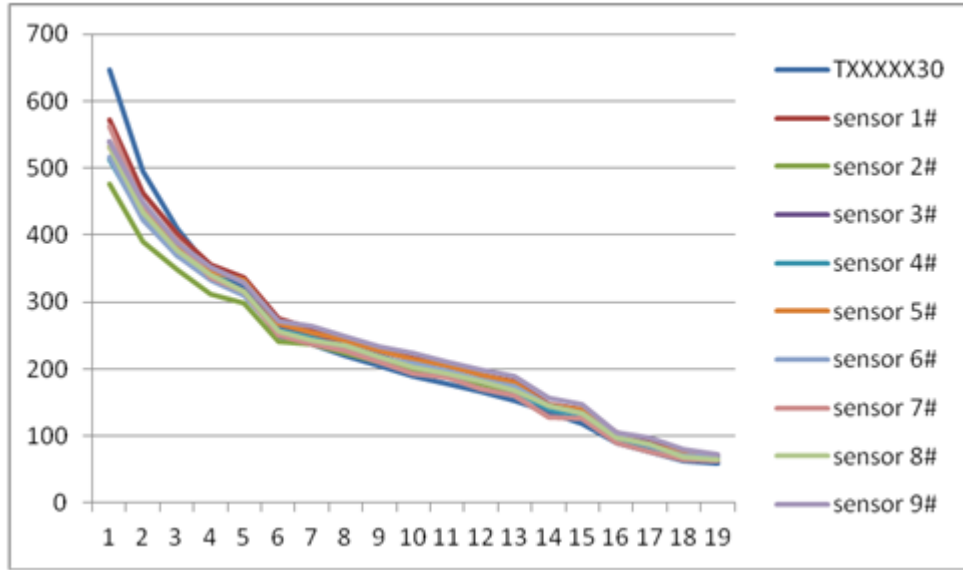


Figure 4-1 Consistency at 20°C

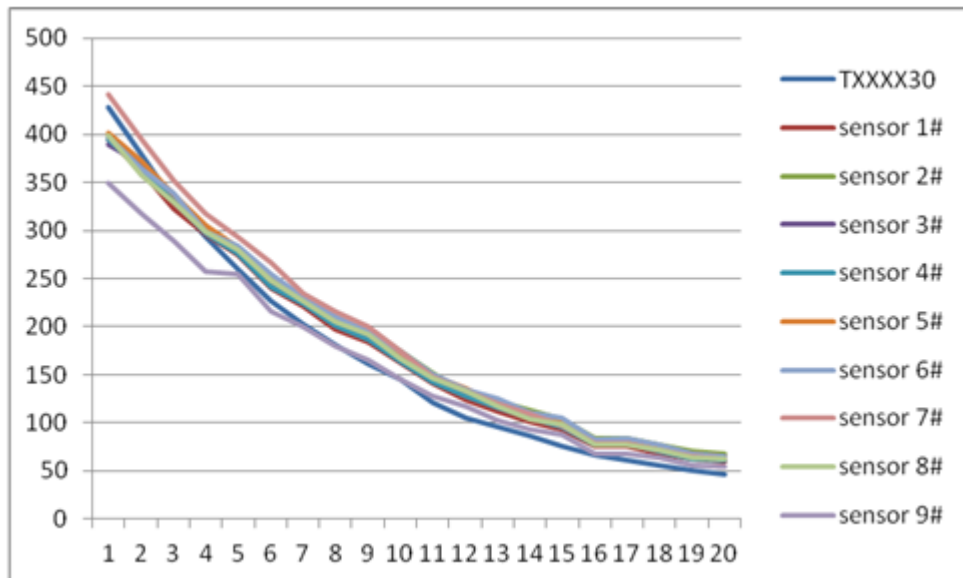


Figure 4-2 Consistency at 43°C

PLANTOWER 攀藤科技	PMS5003 Datasheet	DOCUMENT No	PTQ3004-2015
		Version	V1.0
		Date	2019-7-31

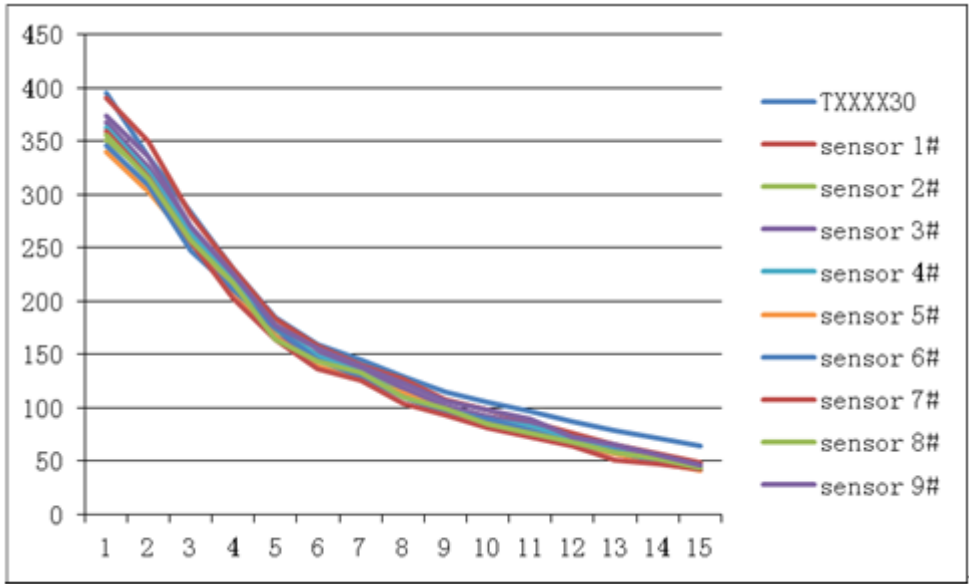


Figure 4-3 Consistency at -5°C

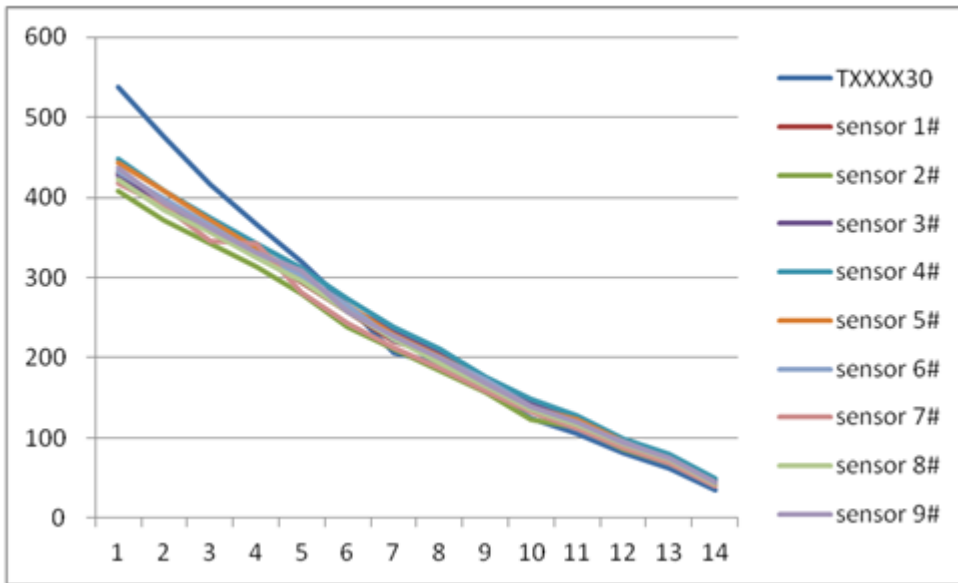


Figure 4-4 Consistency after 30 days running

PLANTOWER 攀藤科技	PMS5003 Datasheet	DOCUMENT No	PTQ3004-2015
		Version	V1.0
		Date	2019-7-31

Relationship of Temperature and Consistency

Definition of axis Y: Maximum Error Modulus(%)

Definition of axis X: Temperature(°C)

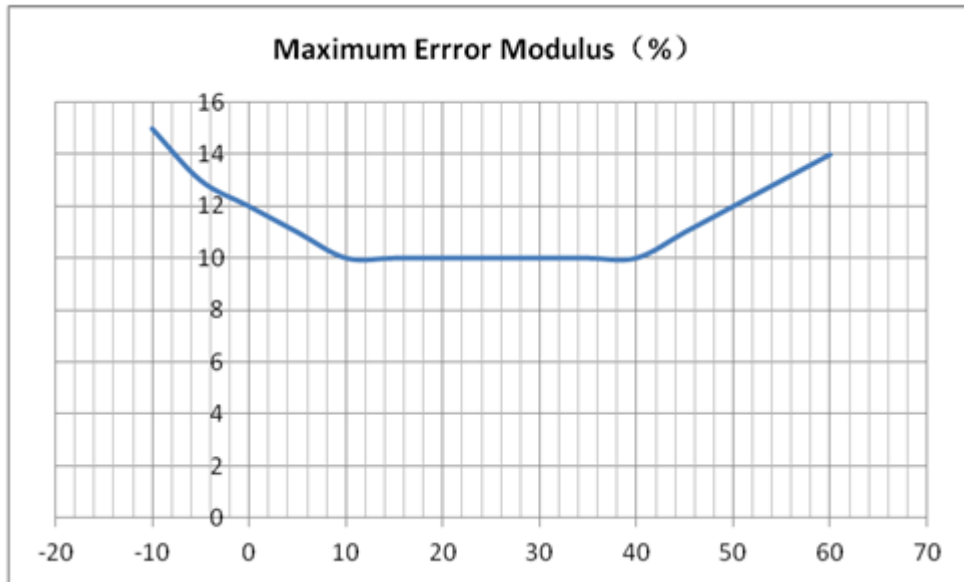


Figure 5 Consistency Vs Temperature

PLANTOWER 攀藤科技	PMS5003 Datasheet	DOCUMENT No	PTQ3004-2015
		Version	VI.0
		Date	2019-7-31

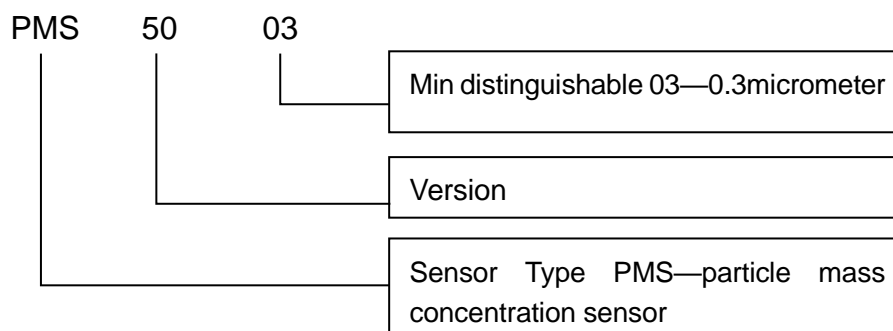
10. Endurance Characteristics

No	Item	Test Method	Characteristics	n C
1	Long Running	1. 10 m ² closed Lab,, 20~25℃, humidity 30%~70%, particle generator and air cleaner 2. DC 5V power supply 3. Check consistency after 720 hours' running	10 samples during 0~500μg/m ³ 0~100μg/m ³ Maximum Error≤±15μg/m ³	n=30 C=0
2	High Temperature Operation	1. 10 m ² constant temperature Lab 2. 43℃, humidity 70%, 3. particle generator and air cleaner 4. DC 5V power supply 5. Check consistency	100~500μg/m ³ Maximum Error≤±15%	n=10 C=0
3	Cold Operation	1. 10 m ² constant temperature Lab 2. -5℃, humidity 30%, 3. particle generator and air cleaner 4. DC 5V power supply 5. Check consistency	FAN does not screeched	n=10 C=0
4	Vibration	1. 10 m ² closed Lab,, 20℃, humidity 50%, particle generator and air cleaner 2. DC 5V power supply and check consistency 3. Frequency: 50Hz。 4. acceleration: 9.8/ S ² 。 5. Direction: X、Y、Z 6. Vibration Amplitude: ±2mm。 7. Time: X、Y、Z-way, Per 1 hour		n=5 C=0
5	High Temperature and Humidity Storage	1. Constant temperature cabinet 2. 70℃, humidity 90%~95, 3. Check consistency after 500 hours' storage	10 samples during 0~500μg/m ³ 0~100μg/m ³	n=10 C=0
6	Cold Storage	1. Constant temperature cabinet 2. -30℃, humidity 90%~95, 3. Check consistency after 500 hours' storage	Maximum Error≤±10μg/m ³ 100~500μg/m ³	n=10 C=0

PLANTOWER 攀藤科技	PMS5003 Datasheet	DOCUMENT No	PTQ3004-2015
		Version	V1.0
		Date	2019-7-31

7	Variation of Power Supply	4. 10 m ² closed Lab,, 20°C , humidity 50%, particle generator and air cleaner 5. Power varies as the cycles of 4.5V to 5.5V ,then 5.5V to 4.5V with the pace of 0.1V/min for 2 hours. 6. Check consistency during Variation	Maximum Error≤±10% FAN does not screeched	n=5 C=0
8	Power On-Off Cycle	1. 10 m ² closed Lab,, 20°C , humidity 50%, particle generator and air cleaner 2. DC 5V power supply, keep On-Off frequency 0.5Hz for 72 hours and check consistency		n=10 C=0
9	Sleep Set On-Off Cycle	1. 10 m ² closed Lab,, 20°C , humidity 50%, particle generator and air cleaner 2. DC 5V power supply, keep Sleep Set Pin High-Low frequency 0.5Hz for 72 hours and check consistency		n=10 C=0
10	Laser On-Off Cycle	1. 10 m ² closed Lab,, 20°C , humidity 50%, particle generator and air cleaner 2. keep laser On-Off frequency 50Hz for 240 hours and check consistency		n=10 C=0
11	Salt Spray	5% industrial salt water, hydrolysis spray 100 hours, clean with purified water and store for 48 hours		No rust and discoloration of metal parts

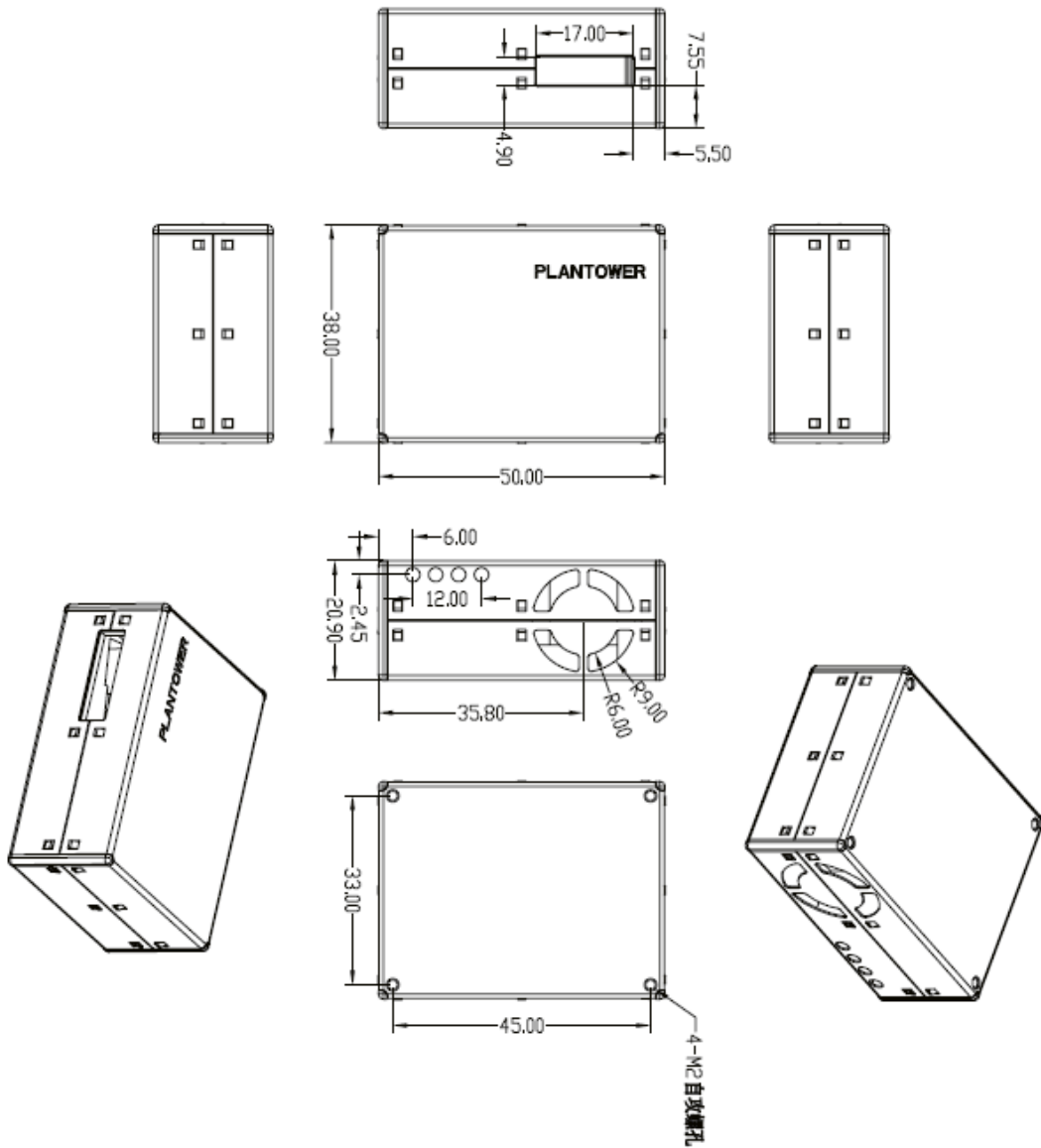
11. Part Number Definition



PLANTOWER 攀藤科技	PMS5003 Datasheet	DOCUMENT No	PTQ3004-2015
		Version	V1.0
		Date	2019-7-31

12. Physical Size

(Unit:mm)



13. Installation Attentions

- 1) Metal shell is connected to the GND so be careful not to let it shorted with the other parts of circuit except GND.

PLANTOWER 攀藤科技	PMS5003 Datasheet	DOCUMENT No	PTQ3004-2015
		Version	V1.0
		Date	2019-7-31

- 2) The best way of install is making the plane of inlet and outlet closely to the plane of the host. Or some shield should be placed between inlet and outlet in order to prevent the air flow from inner loop.
- 3) The blowhole in the shell of the host should not be smaller than the inlet.
- 4) The sensor should not be installed in the air flow way of the air cleaner or should be shielded by some structure.
- 5) The sensor should be installed at least 20cm higher than the grand in order to prevent it from blocking by the flock dust.
- 6) When the sensor is used to outdoor fixed equipment, the equipment should be completed for the protection of sandstorm,rain,snow,etc.
- 7) Do not break up the sensor.

14. Other Attentions

- 1) Only the consistency of all the PM sensors of PLANTOWER is promised and ensured. And the sensor should not be checked with any third party equipment.
- 2) The sensor is usually used in the common indoor environment. So some protection must be added if using in the conditions as followed:
 - a) The time of concentration $\geq 300\mu\text{g}/\text{m}^3$ is longer than 50% of the whole year or concentration $\geq 500\mu\text{g}/\text{m}^3$ is longer than 20% of the whole year.
 - b) Kitchen
 - c) Water mist condition such as bathroom or hot spring.
 - d) Outdoor

PLANTOWER 攀藤科技	PMS5003 Datasheet	DOCUMENT No	PTQ3004-2015
		Version	V1.0
		Date	2019-7-31

15. Appendix A: transport Protocol Active Mode

Default baud rate: 9600bps Check bit: None Stop bit: 1 bit

32 Bytes

Start character 1	0x42	(Fixed)
Start character2	0x4d	(Fixed)
Frame length high 8 bits	Frame length=2x13+2(data+check bytes)
Frame length low 8 bits	
Data 1 high 8 bits	Data1 refers to PM1.0 concentration unit μ g/m3 (CF=1, standard particle) *
Data 1 low 8 bits	
Data2 high 8 bits	Data2 refers to PM2.5 concentration unit μ g/m3 (CF=1, standard particle)
Data2 low 8 bits	
Data3 high 8 bits	Data3 refers to PM10 concentration unit μ g/m3 (CF=1, standard particle)
Data3 low 8 bits	
Data4 high 8 bits	Data4 refers to PM1.0 concentration unit * μ g/m3 (under atmospheric environment)
Data4 low 8 bits	
Data5 high 8 bits	Data 5 refers to PM2.5 concentration unit μ g/m3 (under atmospheric environment)
Data5 low 8 bits	
Data6 high 8 bits	Data 6 refers to PM10 concentration unit μ g/m3 (under atmospheric environment)
Data6 low 8 bits	
Data7 high 8 bits	Data7 indicates the number of particles with diameter beyond 0.3 um in 0.1 L of air.
Data7 low 8 bits	
Data8 high 8 bits	Data8 indicates the number of particles with diameter beyond 0.5 um in 0.1 L of air.
Data8 low 8 bits	
Data9 high 8 bits	Data9 indicates the number of particles

PLANTOWER 攀藤科技	PMS5003 Datasheet	DOCUMENT No	PTQ3004-2015
		Version	V1.0
		Date	2019-7-31

Data9 low 8 bits	with diameter beyond 1.0 um in 0.1 L of air.
Data10 high 8 bits	Data10 indicates the number of particles with diameter beyond 2.5 um in 0.1 L of air.
Data10 low 8 bits	
Data11 high 8 bits	Data11 indicates the number of particles with diameter beyond 5.0 um in 0.1 L of air.
Data11 low 8 bits	
Data12 high 8 bits	Data12 indicates the number of particles with diameter beyond 10 um in 0.1 L of air.
Data12 low 8 bits	
Data13 high 8 bits	Version
Data13 low 8 bits	Error Code
Data and check high 8 bits	Check code*=Start character 1+ Start character 2+.....+data 13 low 8 bits
Data and check low 8 bits	

Note1: CF=1 should be used in the factory environment

Note2:Check code example

Data:42 4d 00 1c 00 67 00 9f 00 ae 00 44 00 69 00 74 43 b6 14 38 04 3a
00 5a 00 1a 00 04 98 00 06 13

Check code: 06 13H = 42H+4dH+ 00H+ 1cH+ 00H+ 67H+ 00H+ 9fH+ 00H+
aeH+ 00H+ 44H+ 00H+ 69H+ 00H+ 74H+ 43H+ b6H+ 14H+ 38H+ 04H+ 3aH+
00H+ 5aH+ 00H+ 1aH+ 00H+ 04H+ 98H+ 00H

16. Appendix B: Transport Protocol Passive Mode

Default baud rate: 9600bps Check bit: None Stop bit: 1 bit

1) Host Protocol

Start Byte 1	Start Byte 2	Command	Data 1	Data 2	Verify Byte 1	Verify Byte 2
0x42	0x4d	CMD	DATAH	DATAL	LRCH	LRCL

PLANTOWER 攀藤科技	PMS5003 Datasheet	DOCUMENT No	PTQ3004-2015
		Version	V1.0
		Date	2019-7-31

2) Command Definition

CMD	DATAH	DATAL	Note
0xe2	X	X	Read in passive mode
0xe1	X	00H-passive 01H-active	Change mode
0xe4	X	00H-sleep 01H-wakeup	Sleep set

3) Answer

a) 0xe2: 32bytes , same as appendix I

b) 0xe1:

Start Byte 1	Start Byte 2	Frame length1	Frame length2	Command	Data	Verify Byte 1	Verify Byte 2
0x42	0x4d	0x00	0x04	0xe1	work	LRCH	LRCL

c) 0xe4:

Start Byte 1	Start Byte 2	Frame length1	Frame length2	Command	Data	Verify Byte 1	Verify Byte 2
0x42	0x4d	0x00	0x04	0xe4	sleep	LRCH	LRCL

4) Verify Bytes :

Add of all the bytes except verify bytes.